

EN Thank you for purchasing Electric Wine Aerator and Dispenser gift set.

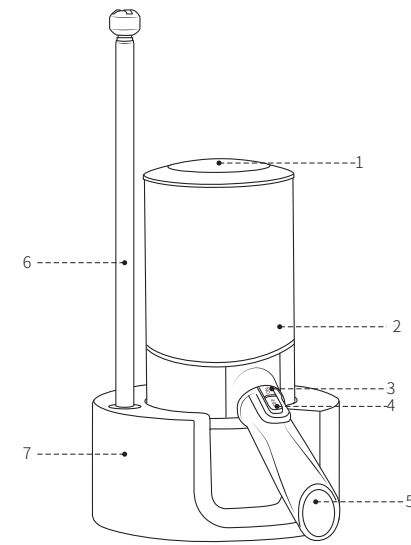
BEFORE USING FOR THE FIRST TIME

To ensure safety and maintain the high quality of the product, we recommend that you read and follow the instructions carefully.

- Do not immerse the appliance in water or any other liquid to avoid physical injury or damage to the product.
- Keep this product away from children.
- Do not dismantle the product by yourself.
- Do not force the product onto a bottle or attempt to speed up the mechanism. This product works best when operating at its intended speed.
- Do not use this product for any other purpose.
- Keep away from flammable, explosive gas.

BUTTON AND OTHER COMPONENTS

MGS-KD-4

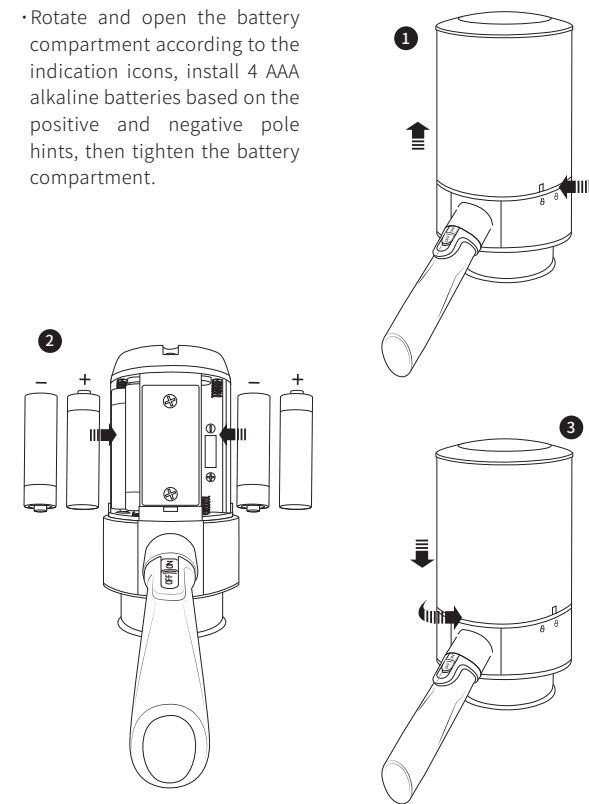


1. Button
2. Battery compartment
3. Aerator valve
4. Aeration air inlet
5. Dispenser spout
6. Extension tube
7. Storage Base

* BATTERIES NOT INCLUDED

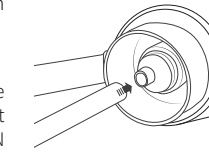
HOW TO INSTALL THE BATTERY

• Rotate and open the battery compartment according to the indication icons, install 4 AAA alkaline batteries based on the positive and negative pole hints, then tighten the battery compartment.

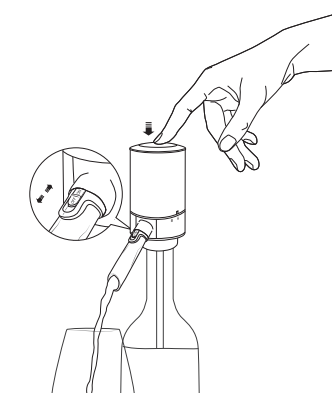


HOW TO USE THE DISPENSER

- Tightly sleeve the tube at the diversion mouth on the bottom of dispenser.
- Put the tube into the bottle, press the dispenser downwards to tightly jacket on the bottleneck, and select to turn ON or OFF the aerator switching valve according to aeration demand.



- Place the wine glass to be just below the dispenser spout, press the dispenser button and the wine will run out through the dispenser spout. When you loosen your fingers, the dispenser will stop working to end the wine dispensing.



WARM TIPS

- This product is suitable for wine bottles with an bottleneck outer diameter of less than 35 mm and an bottleneck inner diameter of 18 mm to 19 mm.
- When the wine in the bottle is below 50 ml, it is recommended to dispense the wine after the aerator switching valve is closed, or the wine may spill out a bit via aerator switching valve due to pressure change.

TROUBLESHOOTING

Case 1: After the dispenser is installed on the wine bottle, if no wine comes out of the dispensing spout after the corresponding button is pressed: it is required to check whether the dispenser and the bottle opening are tightly assembled, and whether the tube is installed well. If not, you may reinsert the dispenser or reinstall the tube, then try again.

Case 2: When the dispensing amount of wine is less than normal: this is possibly caused by low battery power, please charge it or replace with new batteries before using the product again.

Case 3: In case of other use faults, please contact the customer service personnel for arrangement of repair matters.